

# Patio Addition

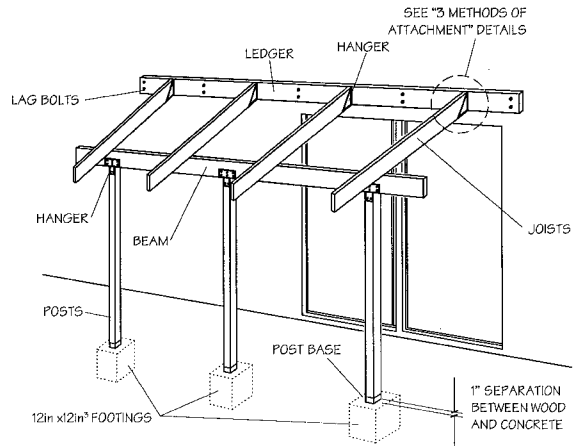
## Plans to Submit for Plan Check

1. PLOT PLAN showing location of patio cover in relationship with house. Dimension from property lines. Dimensions from all other structures.
2. FLOOR PLAN showing size & spacing of all materials. Dimensions of patio cover. Location & size of footings.
3. STRUCTURAL PLAN (cross section) showing materials sizes & spacing. Method of attachment to structure.

## Requirements:

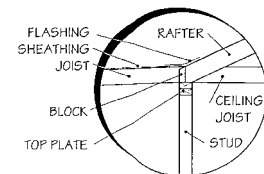
Roof Material - If roof is open lattice or slats - slope can be zero. If roof is covered - slope is minimum 1/4" per foot fall. Minimum 3/8" plywood required for roof rafters 16" on center, or 1/2" plywood with roof rafters 24" on center. Minimum class "C" roofing required.

| BEAM SIZE | SPAN   |
|-----------|--------|
| 4X6       | 6 ft.  |
| 4x8       | 8 ft.  |
| 4x10      | 10 ft. |
| 4x12      | 12 ft. |

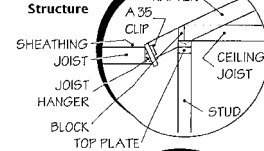


### 3 METHODS OF ATTACHMENT

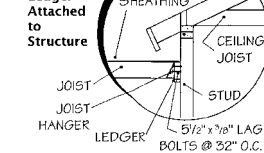
#### 1. Attach to Top Plate of Structure



#### 2. Attach to Fascia of Structure



#### 3. Attach to Ledger Attached to Structure



| JOIST SIZE | SPACING           | SPAN ALLOWED                |
|------------|-------------------|-----------------------------|
| 2X6        | 12"<br>16"<br>24" | 12'-4"<br>10'-8"<br>8'-8"   |
| 2X8        | 12"<br>16"<br>24" | 16'-3"<br>14'-0"<br>11'-6"  |
| 2X10       | 12"<br>16"<br>24" | 20'-8"<br>17'-11"<br>14'-8" |
| 2X12       | 12"<br>16"<br>24" | 25'-2"<br>21'-9"<br>17'-9"  |